

ECONOSEAL[®]

ECONOFORM and ECONOLOCK



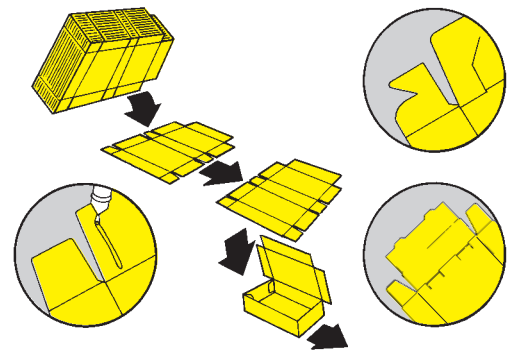
Automatic, Tray Formers

ECONOFORM Tray Formers: Forms corner glue (hot melt) trays.

ECONOLOCK Tray Formers: Forms corner lock or simplex style locking trays.

The **ECONOFORM** and **ECONOLOCK** units are:

- PLC controlled.
- Simple in design and operation.
- Can accommodate trays with or without hinge covers.
- Paperboard and corrugated.
- Productive (up to 1800 trays per hour, standard size range and up to 1200 trays per hour extended size range).





Flat Blank is automatically pulled from a supply magazine with vacuum cups and transported to the forming area.

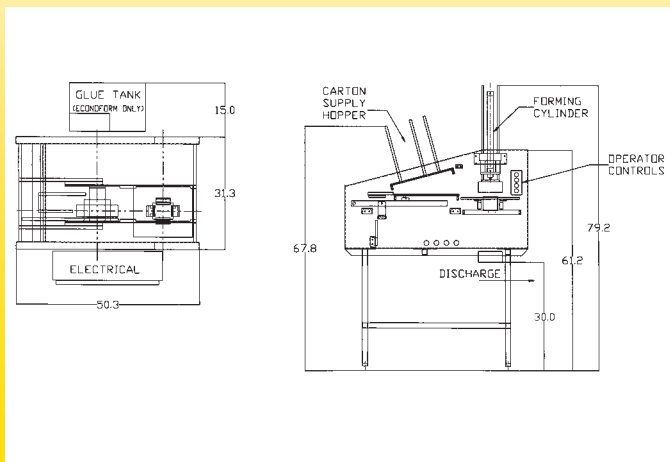


Mandril plunges blank through tooling cavity and the result is a completed corner glue, cornerlock, or simplex tray.

ENGINEERING DETAILS

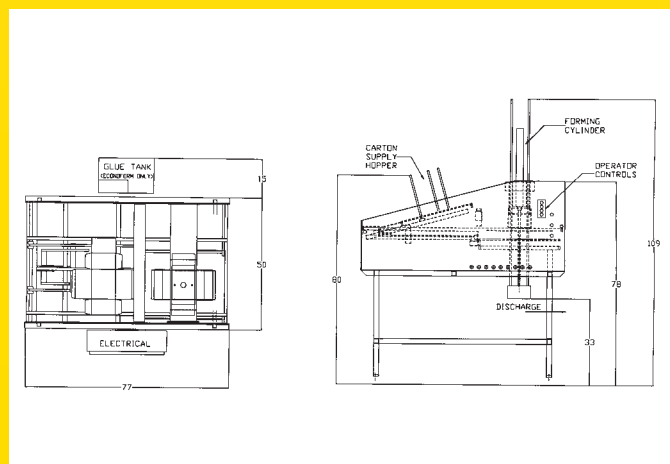
Machines available to handle carton sizes outside of range listed above quoted on request. Note: All dimensions are approximate. Subject to change.

STANDARD SIZE RANGE ECONOFORM AND ECONOLOCK—CARTON FORMERS



- Size Range:** (Carton/Case Size)
 Min. 4" x 3" x 1"
 (102 x 76 x 25mm)
 Max. 9" x 7" x 3"
 (229 x 178 x 76mm)
- Max Blank Size:** 15" x 23" (381 x 584mm)
- Speed:** Up to 1800 cartons per hour depending on case size and other factors.
- Electrical:** 220 volts 50/60 Hz, Single Phase.
- Air:** 80 psi (5.5 bar). Volume consumption 4.4 CFM, 23.6 SCFM (125 liters/min).
- Shipping:** Normally less than 400 lbs. (180kg)

EXTENDED SIZE RANGE ECONOFORM AND ECONOLOCK—CARTON FORMERS



- Size Range:** (Carton/Case Size)
 Min. 8" x 6" x 1"
 (203 x 152 x 25mm)
 Max: 15" x 12" x 5"
 381 x 304 x 127mm)
- Max Blank Size:** 25" x 39" (635 x 990mm)
- Speed:** Up to 1200 cartons per hour depending on case size and other factors.
- Electrical:** 220 volts 50/60 Hz, Single Phase.
- Air:** 80 psi (5.5 bar). Volume consumption 5.5 CFM, 29.5 SCFM (156 liters/min).
- Shipping:** Normally less than 1200 lbs. (540kg)



72 Pacella Park Drive, Randolph, MA 02368
 Telephone: +1 (781) 986-7500 Fax: +1 (781) 986-1553
 www.econocorp.com e-mail: info@econocorp.com



Leading companies.
 Leading solutions.